

KFI QSDL / QSDS Series Quartz Crystal Units

HC-49/S Resistance Welded Surface Mount Type

Features

- Small size with only 3.7mm / 2.6mm height
- Completely sealed with resistance welded package
- Good frequency stability and high reliability
- SMD package best for small and densely populated PCBs with limited component space.



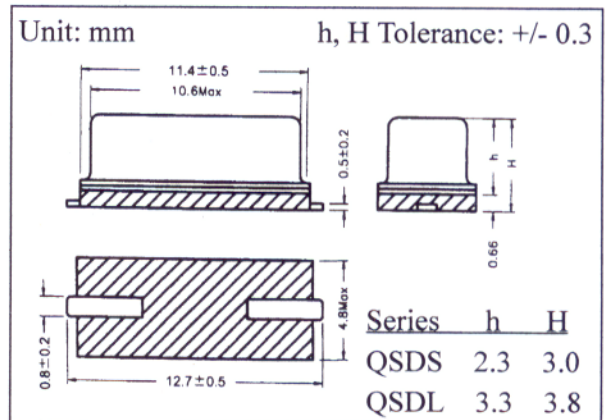
Specifications

Model	QSDL	QSDS
Frequency Range	3.200MHz~70.000MHz	10.000MHz~70.000MHz
Frequency Tolerance @25 °C	+/- 30ppm (typical) or specify	
Aging @25 °C	+/- 5ppm / year maximum	
Frequency Stability over Operating Temperature Range	+/- 30ppm (typical) or specify	
Operation Temperature Range	-10 °C to +60 °C (typical) -20 °C to +70 °C, -40 °C to +85 °C, or specify	
Storage Temperature Range	-40 °C to +85 °C	
Shunt Capacitance	7 pF maximum	
Load Capacitance	Series, 16 pF, 20 pF, 30 pF, 32 pF or specify	
Drive Level	100 uW maximum	
Insulation Resistance	500 MΩ minimum at 100VDC	
Package	Resistance welded HC-49/S SMD Package	

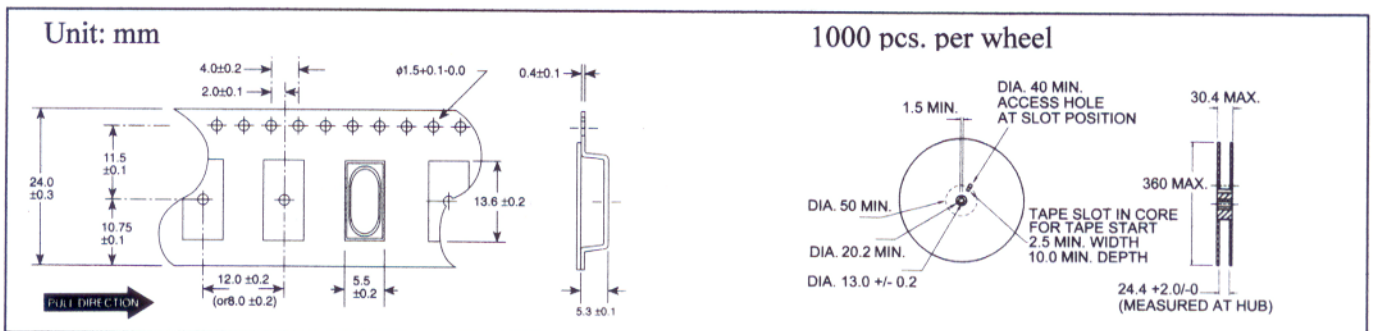
Equivalent Series Resistance (ESR) and Mode of Operation

Frequency Range	ESR (Ω)	Mode
3.200 MHz ~5.999 MHz	90 Max.	Fundamental / AT
6.000 MHz ~7.999 MHz	50 Max.	Fundamental / AT
8.000 MHz ~15.999 MHz	40 Max.	Fundamental / AT
16.000 MHz ~30.000 MHz	20 Max.	Fundamental / AT
24.000 MHz ~40.320 MHz	40 Max.	Fundamental / BT
24.000 MHz ~29.999 MHz	150 Max.	3 rd Overtone / AT
30.000 MHz ~49.999 MHz	100 Max.	3 rd Overtone / AT
50.000 MHz ~70.000 MHz	80 Max.	3 rd Overtone / AT

Dimensions



Packing



Remark: Specifications subject to change without prior notice. Please confirm with our sales engineer.